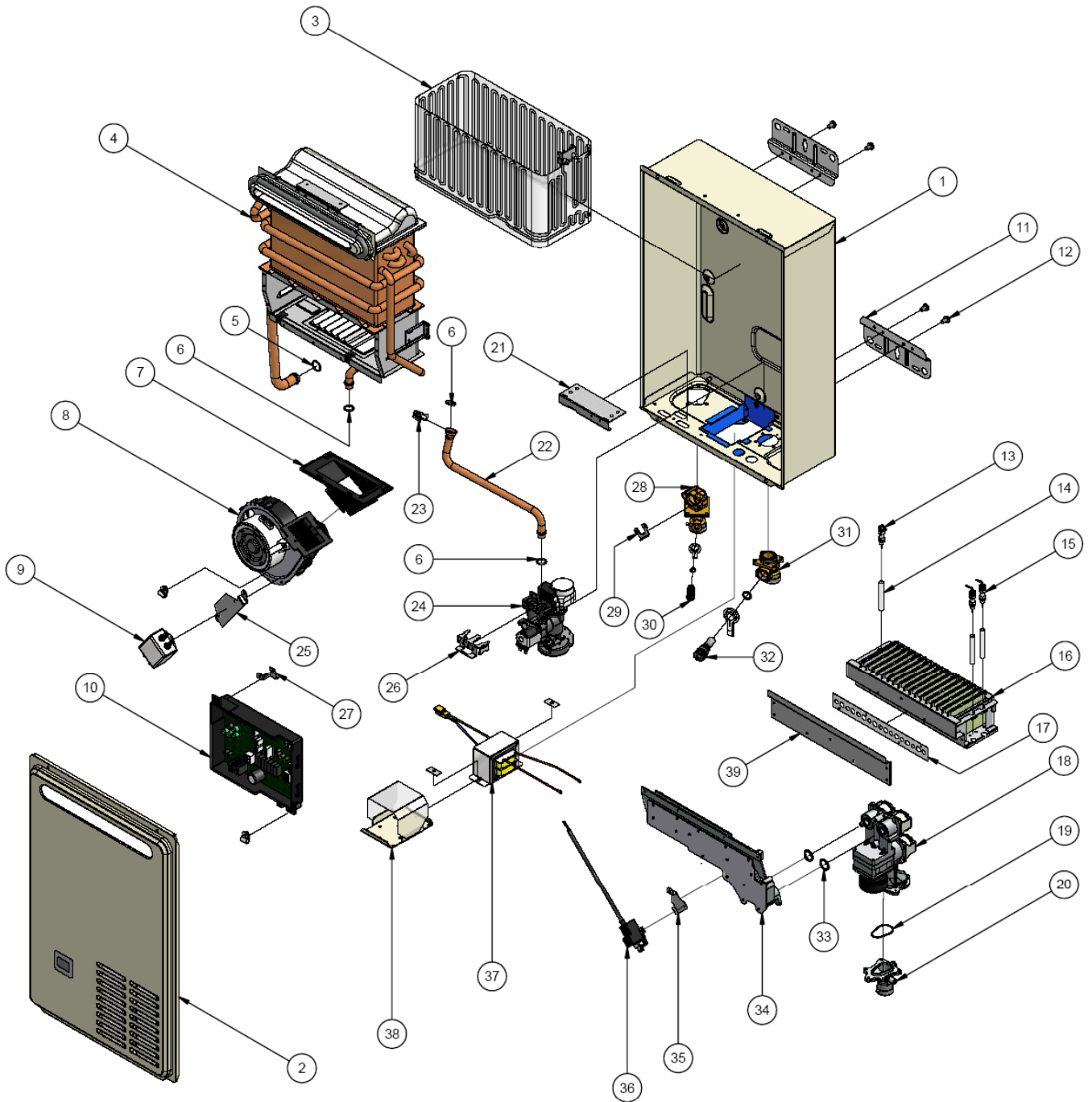


Integrity & Continuous Flow

Continuous Flow 874016 and 874020

Exploded View 1, Mechanical



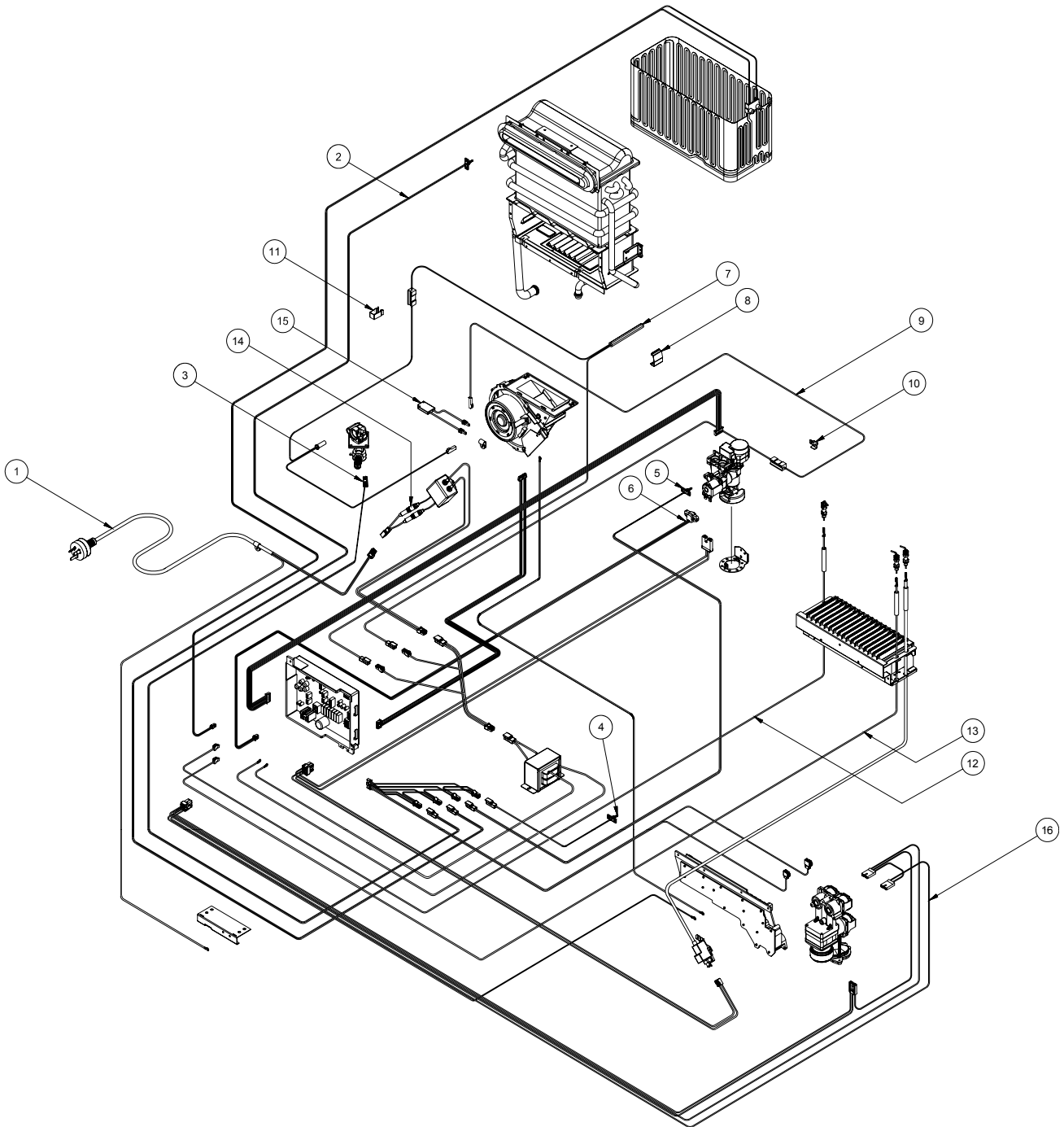
Continuous Flow 874016 and 874020

Exploded View 1

No.	Description	Part Number
1	Heater Cabinet	N/A
2	Front Cover Assembly	31-86022-00
3	Over Heat Limiter	31-80280-00
4	Combustion Chamber Kit NG	31-86142-00
	Combustion Chamber Kit LPG	31-86141-00
5	O-Ring P16 EPT	WH0020034
6	O-Ring P12.7 EPT	WH0020035
7	Fan adapter	N/A
8	Fan Assy	31-61073-00
9	Power Filter	31-86104-00
10	PCB Assy to suit 874016NFZ	31-86150-05
	PCB Assy to suit 874016LFZ	31-86150-06
	PCB Assy to suit 874020NFZ	31-86150-07
	PCB Assy to suit 874020LFZ	31-86150-08
11	Insulation Type Bracket	WH0020002
12	Pan Head 5 x 10	09-11653-00
13	Electrode E	31-61465-00
14	Silicon Tube	31-53479-00
15	Electrode	31-53439-00
16	Upper Burner Assy NG	31-66311-00
	Upper Burner Assy LPG	31-61111-00
17	Burner Damper NG	31-80344-00
	Burner Damper LPG	31-80359-00
18	Proportional Gas Flow Regulating Valve	31-86051-00
19	Gasket	31-53256-00
20	Gas Inlet Connector 3/4"	31-86054-00
21	PCB Assy Holder	31-63097-00
22	By-pass Connecting Assy	31-86121-00
23	Quick Fastener	31-53347-00
24	Water Body Assy	31-86256-00
25	Power Filter Bracket	N/A
26	Flange	10-88332-00
27	PCB Holder	31-63096-00
28	Hot Water Outlet Connector 3/4"	31-86062-00
29	Flange	10-88399-00
30	Safety Valve Assy (Pressure Relief)	04-38888-00
31	Water Inlet Connector	10-65408-00
32	Water Drain Valve Assy	WH0020024
33	Gasket	09-03478-00
34	Lower Burner Assy NG	31-86046-00
	Lower Burner Assy LPG	31-61103-00
35	Igniter Mounting Bracket	N/A
36	Igniter Assy	09-745602-00
37	Transformer Assy	31-86102-00
38	Transformer Box Bottom Holder	31-86111-00
39	Burner Front Panel Assy	31-61065-00

Continuous Flow 874016 and 874020

Exploded View 2 Electrical



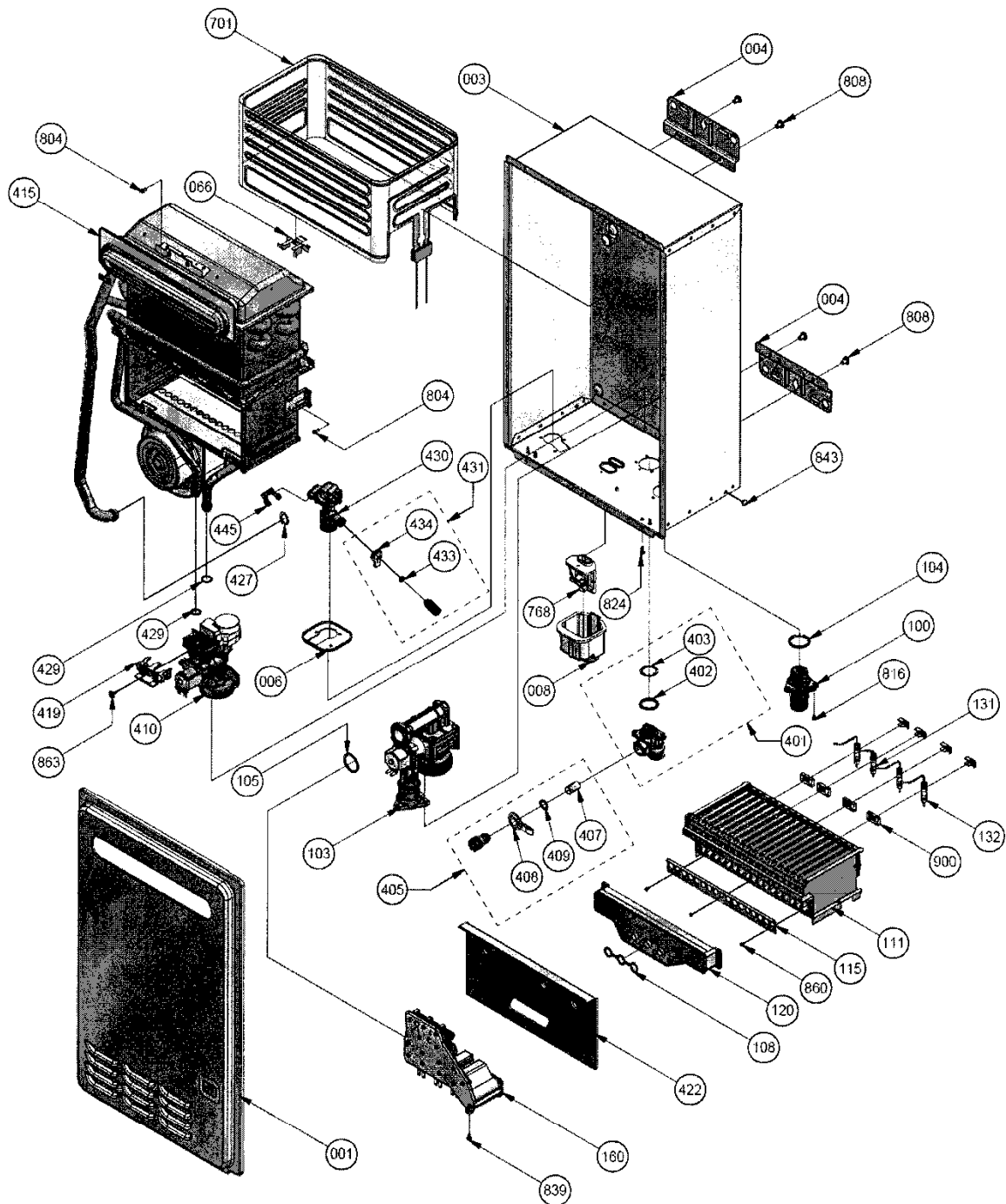
Continuous Flow 874016 and 874020

Exploded View 2

No.	Description	Part Number
1	Power Supply Cord Assy	31-76652-00
2	Heat Exchanger Thermistor	09-76934-00
3	Outlet Hot Water Thermistor	09-76932-00
4	Ambient Air Thermistor	31-63794-00
5	Water Inlet Thermistor	09-76931-00
6	Hall IC Assy C	31-50245-00
7	Anti-Frost Heater B	31-71643-00
8	Heater Holder B	WH0020051
9	Anti-Frost Heater A	31-71644-00
10	Heater Holder	N/A
11	Heater Holder C	WH0020050
12	FR Connecting Cord Assy A	31-63738-00
13	FR Connecting Cord Assy B	31-63739-00
14	Fuse	WH0020069
15	Thermostat	20-57072-00
16	120V Wire Assy	31-86114-00

Integrity Continuous Flow Gas with Solenoid Bypass

Models: 871024C and 871026-B



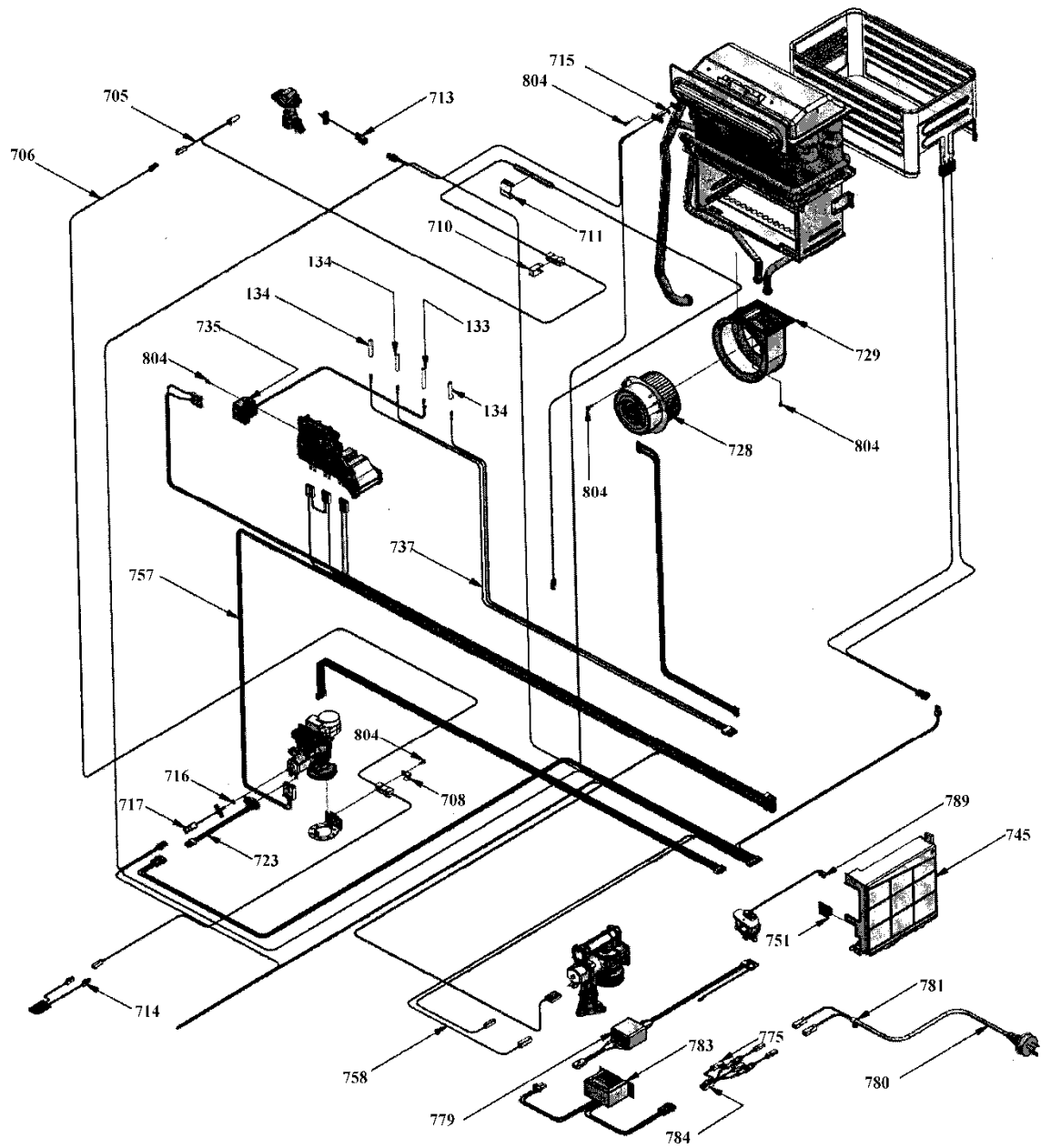
Integrity Continuous Flow Gas with Solenoid Bypass

Models: 871024C and 871026-B

	Part No.	Description
001	WH0020000	Front Panel
004	WH0020002	Mounting Bracket
006	WH0020003	Reinforcing Plate
008	WH0020004	Cord Connector
066	WH0020005	Fixing Plate B
100	31-76255-00	Gas Inlet Connector $\frac{3}{4}$ "
103	54-12340-00	Proportional Gas Flow Regulating Valve
104	WH0020009	O-Ring
105	WH0020010	Gasket
108	WH0020012	Gasket
111	31-76231-00	Upper Burner Assembly
115	31-76238-00	Nozzle Plate
120	31-76241-00	Lower Burner Assembly – NG
	31-76240-00	Lower Burner Assembly – LPG
131	31-76236-00	Electrode
132	31-76237-00	Flame Rod Assembly (3 x flame rods)
160	WH0020020	Burner Change-Over Assembly
401	10-65408-00	Water Inlet Connector Assembly 26 L ($\frac{3}{4}$)
402	WH0020022	O-Ring
403	WH0020023	CSS Type Snap Ring
405	WH0020024	Water Drain Valve Assy (Includes Water Filter)
408	21-35376-00	Plug Band
409	WH0020027	O-Ring
410	31-76285-00	Water Body Assy Including Solenoid Bypass
415	31-76500-00	Heat Exchanger and Combustion Chamber
419	10-88332-00	Flange
422	10-89636-00	Combustion Chamber Front Panel Assembly
427	WH0020034	O-Ring
429	WH0020035	O-Ring
430	31-20192-00	Hot Water Outlet Connector ($\frac{3}{4}$)
431	04-04764-00	Relief Valve Assembly
433	WH0020038	O-Ring
434	WH0020039	Safety Valve Band
445	WH0020040	Flange
701	31-79562-00	Over Heat Limiter Assembly
828	09-14144-00	Truss Gasket Screw 4 x 10
860	09-46131-00	Nozzle Plate Bind Screw 3 x 6
	31-76492-00	Cover Front Integrity 871026
	31-76623-0S	PCB Assy 24C/26B

Integrity Continuous Flow Gas with Solenoid Bypass

Models: 871024C and 871026-B



Integrity Continuous Flow Gas with Solenoid Bypass

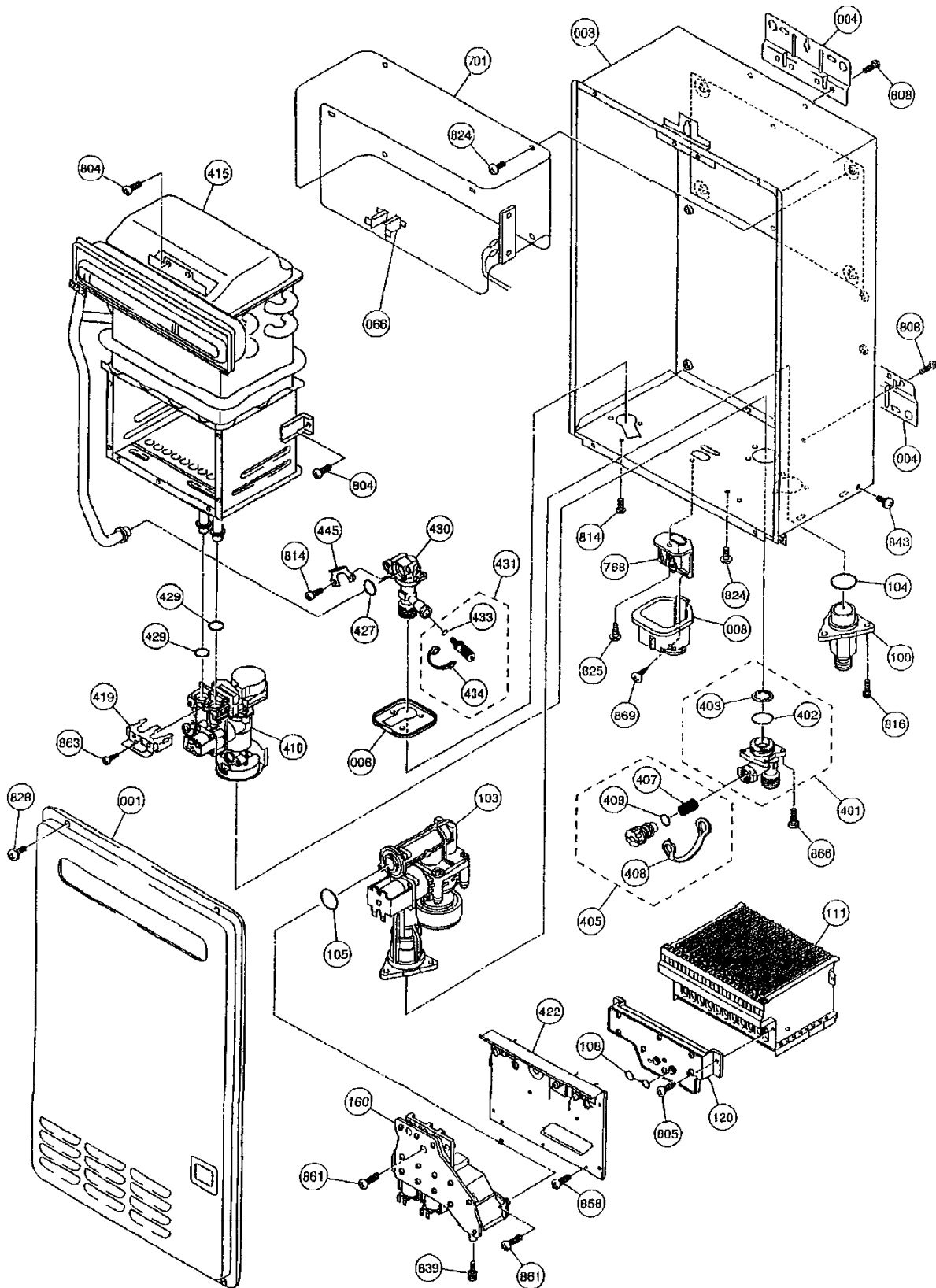
Models: 871024C and 871026-B

	Part No.	Description	
	133	20-43376-00	Silicone Tube (Insulator)
	134	20-43376-00	Silicone Tube (Insulator)
	705	31-71644-00	Anti-Frost Heater (Heater A)
	706	31-71643-00	Anti-Frost Heater (Heater B)
	708	WH0020049	Anti-Frost Heater Clamp
	710	WH0020050	Anti-Frost Heater Clamp (For Heater A)
	711	WH0020051	Anti-Frost Heater Clamp (For Heater B)
	712	31-76655-00	Ambient Air Temp Thermistor Assembly
	713	20-64774-00	Outlet Thermistor (Thermistor B)
	714	20-57072-00	Anti-Frost Thermostat Assembly
	716	31-76655-00	Heat Exchanger (HX) Thermistor
	716	WH0020055	O-Ring – Thermistor
	717	20-64773-00	Inlet Thermistor (Thermistor A)
	723	20-43805-00	Hall Effect I.C Assembly
	728	WH0020057	Combustion Fan
	729	10-88629-00	Fan Case Assembly
	735	31-76722-00	Ignition Pack
	737	31-76721-00	Flame Sensor Loom
	745	31-76623-0S	PCB Assembly
	751	31-76592-00	Gas Type Connector – NG
		31-76591-00	Gas Type Connector – LPG
	751	31-76543-00	Gas Type Connector for Solar 75° – NG
		31-76558-00	Gas Type Connector for Solar 75° – LPG
	757	31-76653-00	100 Volt Loom
	758	31-76655-00	Signal Loom (Inc Amb Air & HX Thermistor)
	768	WH0020068	Terminal Block Assembly
	771	31-23360-00	Noise Filter Holder Assembly
	773	31-71642-00	Power Filter
	775	WH0020069	Fuse – In line Note: PCB Fuses Not Fitted
	780	31-76652-00	Power Cord With Clamp
	781	WH0020072	Clamp – Power Cord
	783	31-71646-00	240-110V Transformer Assembly
	784	31-71641-00	Connecting Cord
		31-76492-00	Cover Front Integrity 871026

Not Shown	Gas Conversion LPG to NG	Lower Burner Assembly	31-76241-00
		Gas Type Connector	31-76592-00
		Nozzle Plate	31-76238-00
		Nozzle Plate Bind Screw (3 Required)	09-46131-00
Not Shown	Gas Conversion NG to LPG	Lower Burner Assembly	31-76240-00
		Gas Type Connector	31-76591-00

Integrity Continuous Flow Gas with Solenoid Bypass

Models: 871018B, 871020B, 871024B, and 871026
Post November 2002



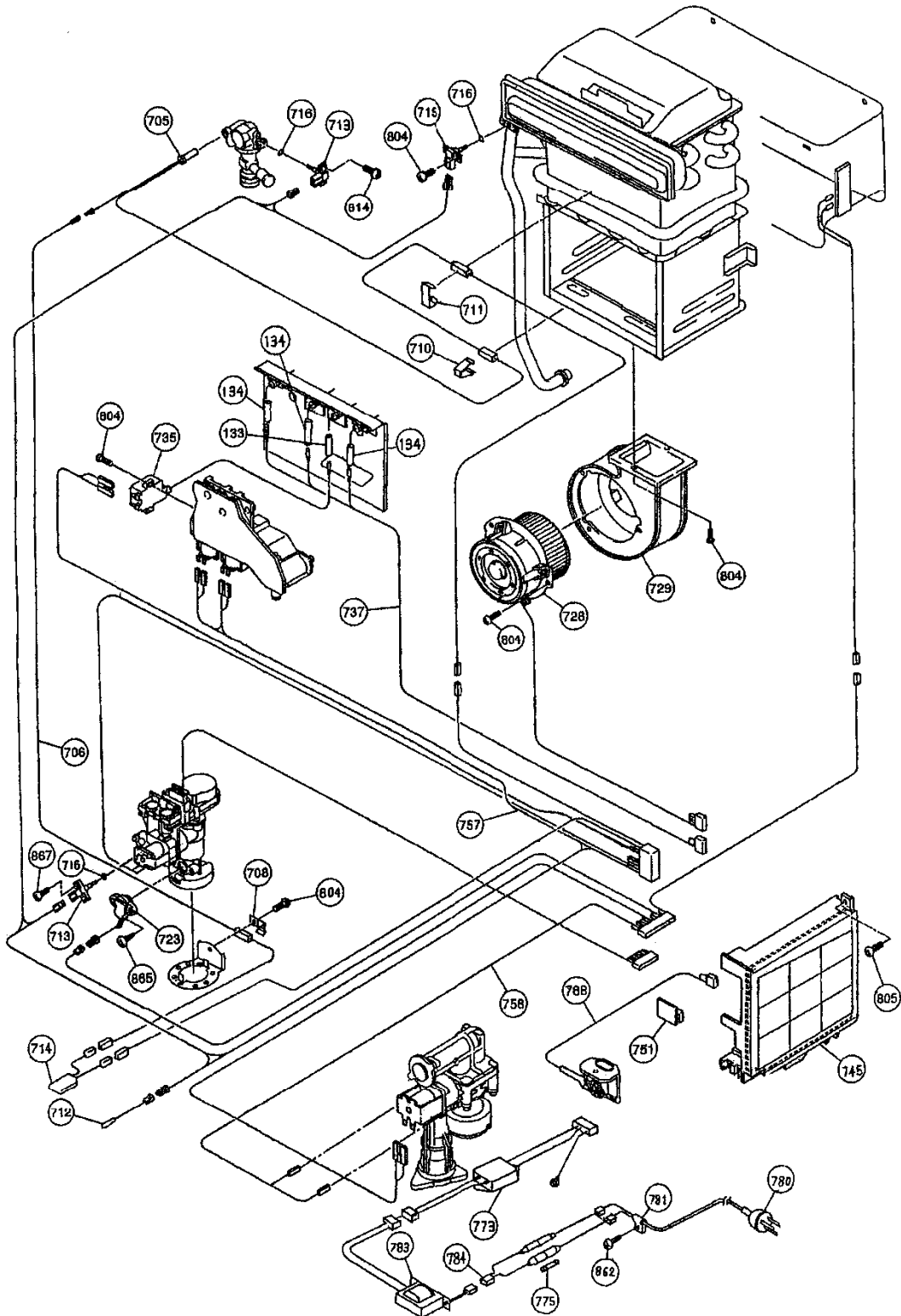
Integrity Continuous Flow Gas with Solenoid Bypass

Models: 871018B, 871020B, 871024B, and 871026. Post Nov 2002

	Part No	Description
001	WH0020000	Front Panel Assembly
004	WH0020002	Mounting Bracket
006	WH0020003	Reinforcing Plate
008	WH0020004	Cord Connector
066	WH0020005	Fixing Plate B
099	WH0020182	PCB Board Assy 18L – 24L
100	WH0020006	Gas Inlet Connector ¾"
103	WH0020008	Gas Valve Integrity (All Models)
104	WH0020009	O-Ring
105	WH0020010	Gasket
108	WH0020012	Gasket
111	WH0020013	Upper Burner Assembly 18B & 20B
	WH0020014	Upper Burner Assembly 24B & 26
120	WH0020015	Lower Burner Assembly NG 18B & 20B
	WH0020016	Lower Burner Assembly 24B & 26
120	WH0020017	Lower Burner Assembly LPG 18B & 20B
	WH0020018	Lower Burner Assembly LPG 24B & 26
160	WH0020019	Burner Change-Over Assembly 18B & 20B
	WH0020020	Burner Change-Over Assembly 24B & 26
401	WH0020021	Water Inlet Connector Assembly ¾"
402	WH0020022	O-Ring
403	WH0020023	CS Type Snap Ring
405	WH0020024	Water Drain Valve Assembly (Inc. Water Filter)
408	21-35376-00	Plug Band
409	WH0020027	O-Ring
410	WH0020177	Water Body Assembly
415	WH0020178	Heat Exch. and Comb. Chamber Kit 18B & 20B
	WH0020179	Heat Exch. and Comb. Chamber Kit 24B & 26
419	WH0020031	Flange
422	WH0020032	Combustion Chamber Front Panel Assy. 18B & 20B
	WH0020033	Combustion Chamber Front Panel Assy. 24B & 26
427	WH0020034	O-Ring
429	WH0020035	O-Ring
430	31-20192-00	Hot Water Outlet Connector ¾"
431	04-04764-00	Relief Valve Assembly
433	WH0020038	O-Ring
434	WH0020039	Safety Valve Band
445	WH0020040	Flange
701	31-79562-00	Over Heat Limiter Assembly
768	WH0020043	Terminal Block Assembly
828	09-14144-00	Truss Gasket Screw 4 x 10

Integrity Continuous Flow Gas with Solenoid Bypass

Models: 871018B, 871020B, 871024B, and 871026
Post Nov 2002



Integrity Continuous Flow Gas with Solenoid Bypass

871018B, 871020B, 871024B, and 871026. Post Nov 2002

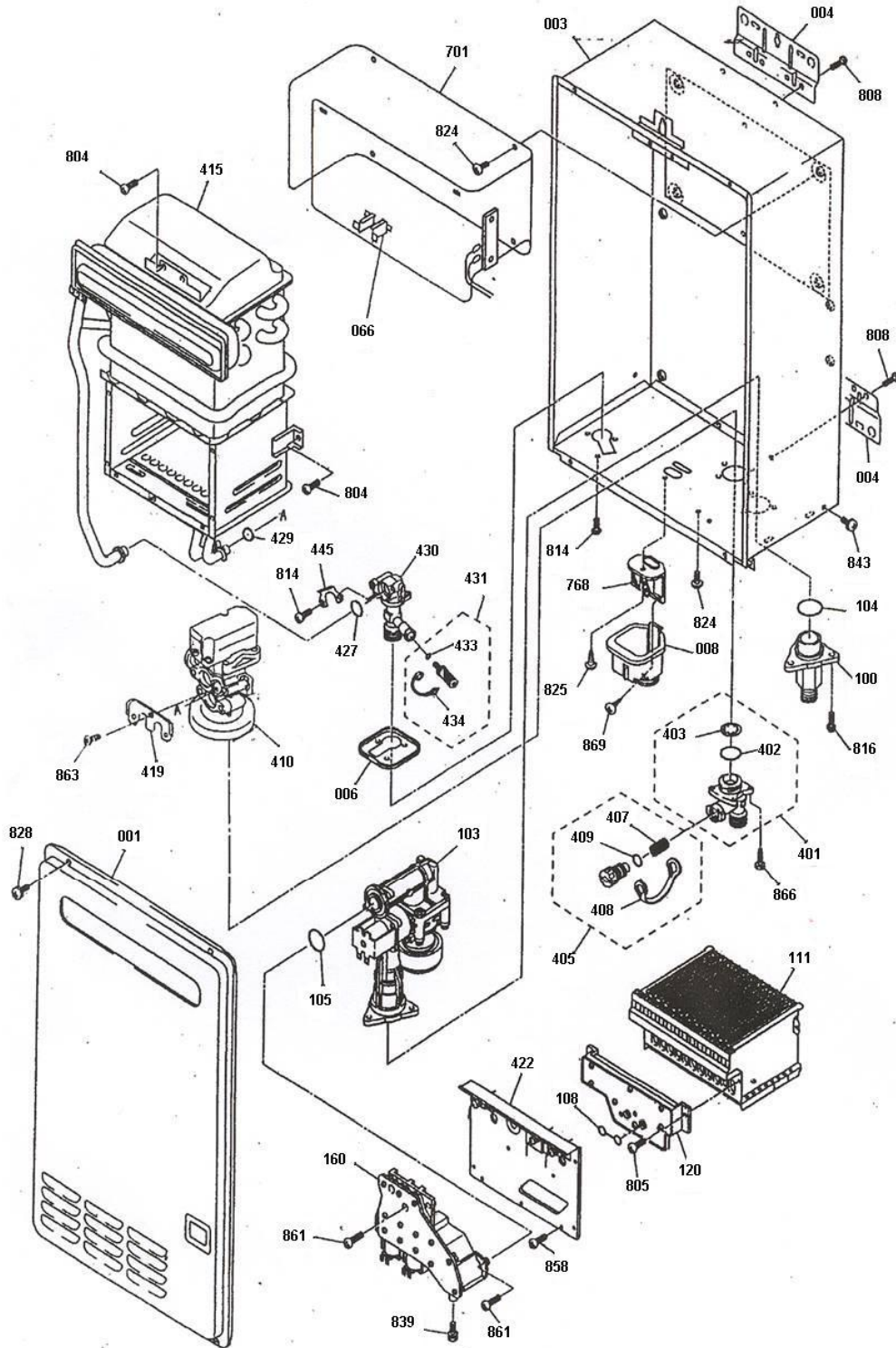
	Part No.	Description
133	20-43376-00	Silicone Tube (Insulator)
708	WH0020049	Anti-Frost Heater Clamp
710	WH0020050	Anti-Frost Heater "C" Clamp
711	WH0020051	Anti-Frost Heater Clamp
713	20-64774-00	Outlet Thermistor (Thermistor B)
714	20-57072-00	Anti-Frost Thermostat Assembly
716	WH0020055	O-Ring – Thermistor
723	20-43805-00	Hall Effect I.C Assembly
728	WH0020057	Combustion Fan
729	10-88629-00	Fan Case Assembly
735	31-76722-00	Ignition Pack
737	31-76721-00	Flame Sensor Loom
745	31-76623-0S	PCB Assembly
751	WH0020186	Gas Type Connector NG
	WH0020185	Gas Type Connector LPG
757	31-76653-00	100 Volt Loom
758	31-76655-00	Signal Loom (Inc Amb Air & HX Thermistor)
771	31-23360-00	Noise Filter Holder Assembly
775	WH0020069	Fuse – In Line Note: PCB Fuses Not Fitted
780	31-76652-00	Power Cord With Clamp
781	WH0020072	Clamp – Power Cord
783	31-71646-00	240 – 110 Volt Transformer Assembly
784	31-71641-00	Connecting Cord
NS	WH0020188	Gas Conversion Kit – LPG to NG 18B & 20B
	WH0020189	Gas Conversion Kit – LPG to NG 24B & 26
NS	WH0020190	Gas Conversion Kit – NG to LPG 18B & 20B
	WH0020191	Gas Conversion Kit – NG to LPG 24B & 26
	31-76492-00	Cover Front Integrity 871026

NS = Not Shown

Integrity Continuous Flow Gas with Mechanical Bypass

Models: 871018, 871020, 871024

Discontinued 2002



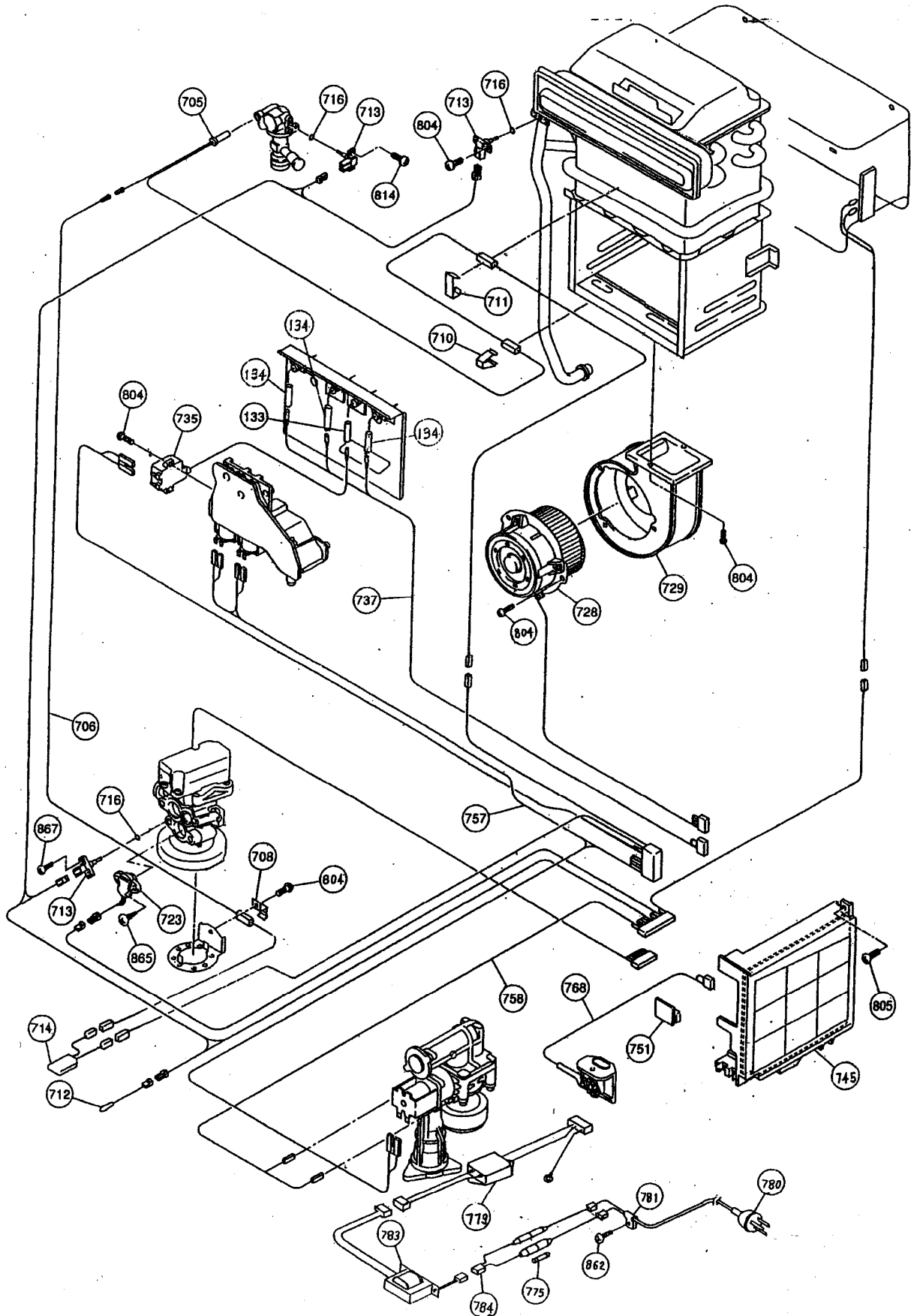
Integrity Continuous Flow Gas with Mechanical Bypass

Models: 871018, 871020, 871024
Discontinued 2002

	Description	Part No. A871018 / A871020	Part No. A871024
001	Front Panel Assembly	WH0020000	WH0020000
004	Mounting Bracket	WH0020002	WH0020002
006	Reinforcing Plate	WH0020003	WH0020003
008	Cord Connector	WH0020004	WH0020004
066	Fixing Plate B	WH0020005	WH0020005
099	PCB Board Assy 18L – 24L	WH0020182	WH0020182
100	Gas Inlet Connector	WH0020006	WH0020006
103	Proportional Gas Flow Regulating Valve	WH0020008	WH0020008
104	O-Ring	WH0020009	WH0020009
105	Gasket	WH0020010	WH0020010
108	Gasket	WH0020012	WH0020012
111	Upper Burner Assembly	WH0020013	WH0020014
120	Lower Burner Assembly NG	WH0020015	WH0020016
120	Lower Burner Assembly LPG	WH0020017	WH0020018
123	Primary Air Adjuster	WH0020085	NF
160	Burner Change-Over Assembly	WH0020019	WH0020020
401	Water Inlet Connector Assembly (3/4")	WH0020021	WH0020021
	Water Inlet Connector Assembly (1/2") 18L only	WH0020086	WH0020086
402	O-Ring	WH0020022	WH0020022
403	CS Type Snap Ring	WH0020023	WH0020023
405	Water Drain Valve Assembly (incl. water filter)	WH0020024	WH0020024
407	Water Filter - use WH0020024	N/A	N/A
409	O-Ring	WH0020027	WH0020027
410	Water Body Assembly	WH0020028	WH0020028
415	Heat Exchanger and Combustion Chamber Kit	WH0020029	WH0020030
419	Flange	WH0020031	WH0020031
422	Combustion Chamber Front Panel Assembly	WH0020032	WH0020033
427	O-Ring	WH0020034	WH0020034
429	O-Ring	WH0020035	WH0020035
430	Hot Water Outlet Connector (3/4")	WH0020036	WH0020036
	Hot Water Outlet Connector (1/2") 18 Litre Only	WH0020087	WH0020087
431	Relief Valve Assembly	WH0020037	WH0020037
433	O-Ring	WH0020038	WH0020038
434	Safety Valve Band	WH0020039	WH0020039
445	Flange	WH0020040	WH0020040
701	Over Heat Limiter Assembly	WH0020042	WH0020042
768	Terminal Block Assembly	WH0020043	WH0020043
828	Truss Gasket Screw 4 x 10	WH0020044	WH0020044

Integrity Continuous Flow Gas with Mechanical Bypass - Electrical

Models: 871018, 871020 and 871024
Discontinued 2002



Integrity Continuous Flow Gas with Mechanical Bypass

**Models: 871018, 871020 and 871024
Discontinued 2002**

	Description	Part No. A871018 / A871020	Part No. A871024
133	Silicone Tube (Insulator)	WH0020045	WH0020045
134	Silicone Tube (Insulator)	WH0020046	WH0020046
705	Anti-Frost Heater	WH0020047	WH0020047
706	Anti-Frost Heater Assembly	WH0020088	WH0020048
708	Anti-Frost Heater Clamp	WH0020049	WH0020049
710	Anti-Frost Heater "C" Clamp	WH0020050	WH0020050
711	Anti-Frost Heater Clamp	WH0020051	WH0020051
712	Ambient Air Temperature Thermistor	WH0020052	WH0020052
713	Inlet and Heat Exchanger Thermistor	WH0020053	WH0020053
714	Thermostat Assembly	WH0020054	WH0020054
715	Outlet Thermistor	WH0020181	WH0020181
716	O-Ring Thermistor	WH0020055	WH0020055
723	Hall Effect I.C. Assembly	WH0020056	WH0020056
728	Combustion Fan	WH0020057	WH0020057
729	Fan Case Assembly	WH0020058	WH0020058
735	Ignition Assembly	WH0020059	WH0020059
737	Flame Sensor Loom	WH0020060	WH0020061
745	PCB Assembly	WH0020182	WH0020182
751	Gas Type Connector NG	WH0020064	WH0020063
751	Gas Type Connector LPG	WH0020065	WH0020078
757	100V Loom	WH0020089	WH0020066
758	Signal Loom	WH0020067	WH0020067
775	Fuse - In line Note: PCB fuses not fitted	WH0020069	WH0020069
779	Power Filter	WH0020079	WH0020079
780	Power Cord With Clamp	WH0020071	WH0020071
781	Clamp - Power Cord	WH0020072	WH0020072
783	240-110V Transformer Assembly	WH0020073	WH0020073
*	Gas Conversion Kit LPG to NG	WH0020074	WH0020075
*	Gas Conversion Kit NG to LPG	WH0020076	WH0020077
*	Cord Connector	WH0020004	WH0020004
*	Fine Probe Adaptor Kit	WH0020082	WH0020082
*	Flame Detection Simulator	WH0020080	WH0020080
*	Flame Censor Current Detector	WH0020081	WH0020081
*	Heat Exchanger Fin Brush	WH0020083	WH0020083
*	Loom Integrity	WH0020070	WH0020070
*	Probe to Alligator Clip Kit	WH0020084	WH0020084

* Not illustrated

