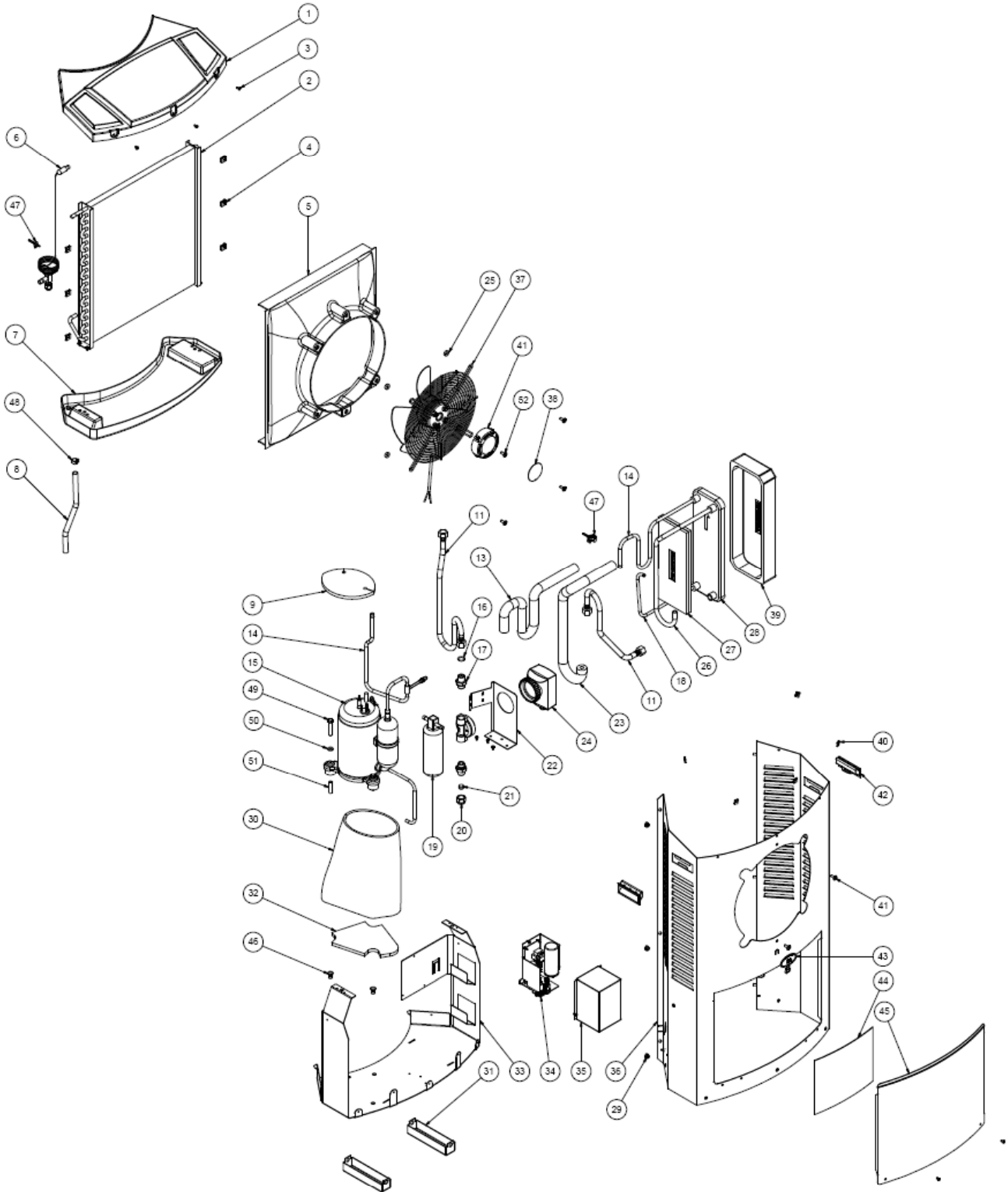


# Heat Pumps

# 325 Heat Pump Module

## Exploded View

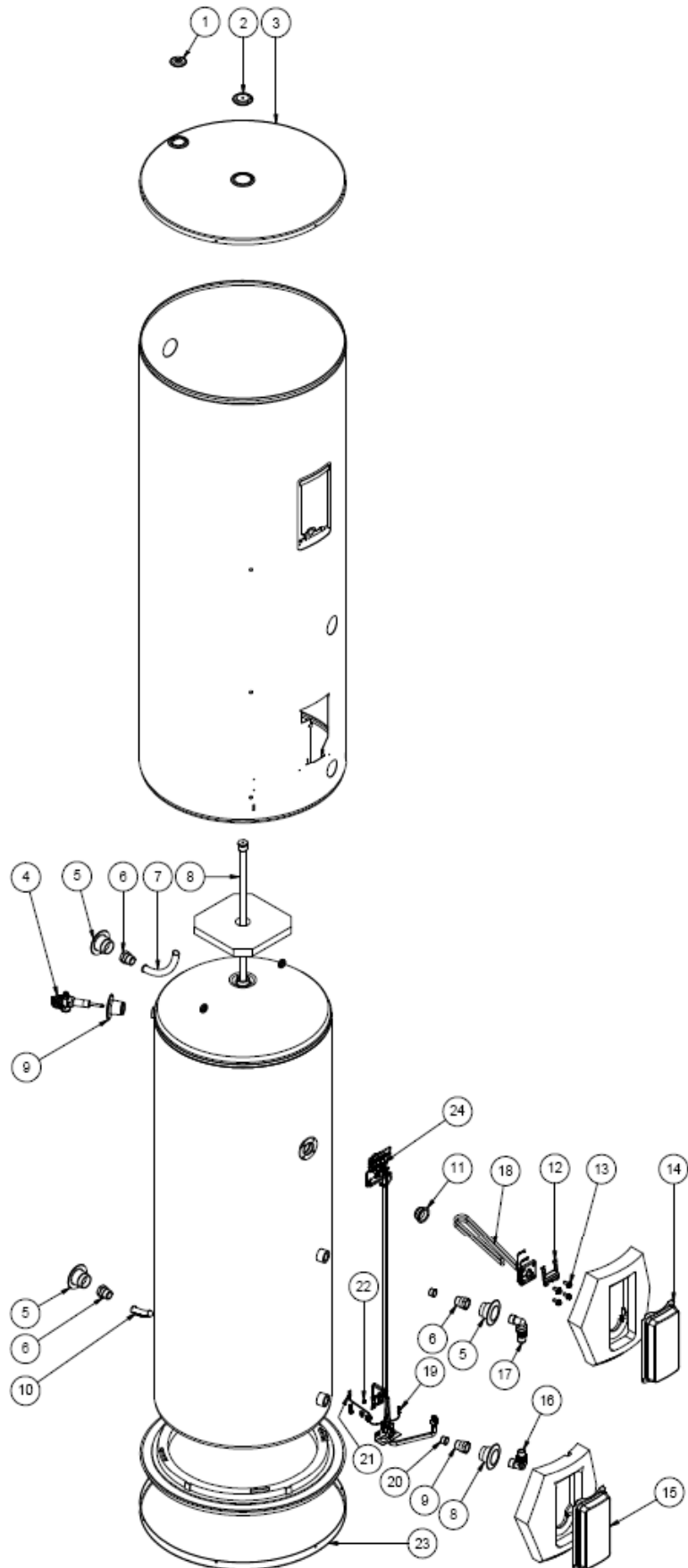


## 325 Heat Pump Module

Item	Description	Part Number	Item	Description	Part Number
1	Jacket Top	104796	27	Insulation - Condenser	090250
2	Evaporator	180034	28	Condenser	180035
3	Screw (8 x 3/8")	080118	29	Fastener (Pkt of 3)	080156
4	Trim Clip	088090	30	Compressor Insulation - Jacket	090257
5	Fan Shroud	180033	31	Foot	108107
6	TX Valve TDN1	180039	32	Compressor Insulation - Bottom	090258
7	Drip Tray	104795	33	Chassis	140118
8	Tube (1/2" x 380)	220522	34	PCB Controller and Wiring Assembly	051595
9	Compressor Insulation Top	090260	35	Cover - Controller	051663
10	Pipe Assembly Suction Line	181537	36	Jacket - HP Module	108379
11	Hose – Braided (10 x 600 – 1/2")	088159	37	Fan and Motor Assembly	180037
12	Pipe - Liquid Line	181540	38	Label - Fan Cover	120533
13	Insulation - Discharge Line (compressor to tee)	180042	39	Insulation - Condenser	090249
	Insulation - Discharge Line (tee to condenser)	180043	40	Speed Nut	080059
14	Pipe Assembly - Discharge Line	181538	41	Screw M6 x 25	080188
15	Compressor - RE135VHSMT	180036	42	Handgrip	080193
16	O-Ring BS115 17.12ID x 2.62	087032	43	Led Panel and Cable Assy	052157
17	Fitting - Nipple 1/2" x 1/2"	088043	44	Insulation - Access Panel	090259
18	Pipe - Liquid Line (Condenser end)	181539	45	Access Panel	051662
19	Receiver Filter/Drier	180021	46	Nutsert M8 (requires chassis)	140118
20	Nut - Compression 1/2"	088119	47	Sensor (Thermistor)	056006
21	Olive - Compression 1/2"	088027	48	Spring Clamp - Drain Hose	080189
22	Bracket – Circulator Pump	108279	49	Bolt - Hex M8 x 60	080185
23	Insulation - Pipe (condenser to circulator)	180044	50	Washer - M8 x 21	080136
24	Circulator Pump	299997	51	Spacer - Compressor Stud	080133
25	Spacer - Rubber	087039	52	Fan Cover	104794
26	Pipe – Water (condenser to circulator)	088142			

# 325 Storage Cylinder

## Exploded View



# 325 Storage Cylinder

Item	Description	Part Number
1	Cover - Foam	221735
2	Cover - Anode	221720-1
3	Jacket Top	100497-1
4	T&PR Valve - ½" x 1000kPa	220641
5	Pipe Seal - Inlet/Outlet (¾"x 43)	221409
6	Extension Fitting	069405
7	Dip Tube	225601
8	Anode Black (M2 x 1370)	221907
	Anode Blue (A5 x 1370)	221925
9	Pipe Seal – T&PR Valve (½" x 46)	221411
10	Inlet Diffuser	220516
11	Gasket - Heating Unit	050704
12	Clamp - Thermostat	102501
13	Screw - Heating Unit	051404
14	Cover - Front Upper	100796
15	Cover - Front Lower	100795
16	Fitting Assembly - Inlet	088166
17	Fitting Assembly - Outlet	088165
18	Heating Unit 2400W offset	050316
	Heating Unit 2400W LWD sickle	050242
	Heating unit 3600W offset	050317
	Heating Unit 3600W LWD sickle	050240
19	Wiring Assembly	053069
20	Fitting Liner ¾"	221001
21	Thermistor	056019
22	Nut - Hex M5	080180
23	Jacket Bottom	100496-1
24	Thermostat	052073
Not Shown	Name Band Rheem 325	120526
Not Shown	Name Band Rheem 325	120534
Not Shown	Conductor - Silicone Pad	052154



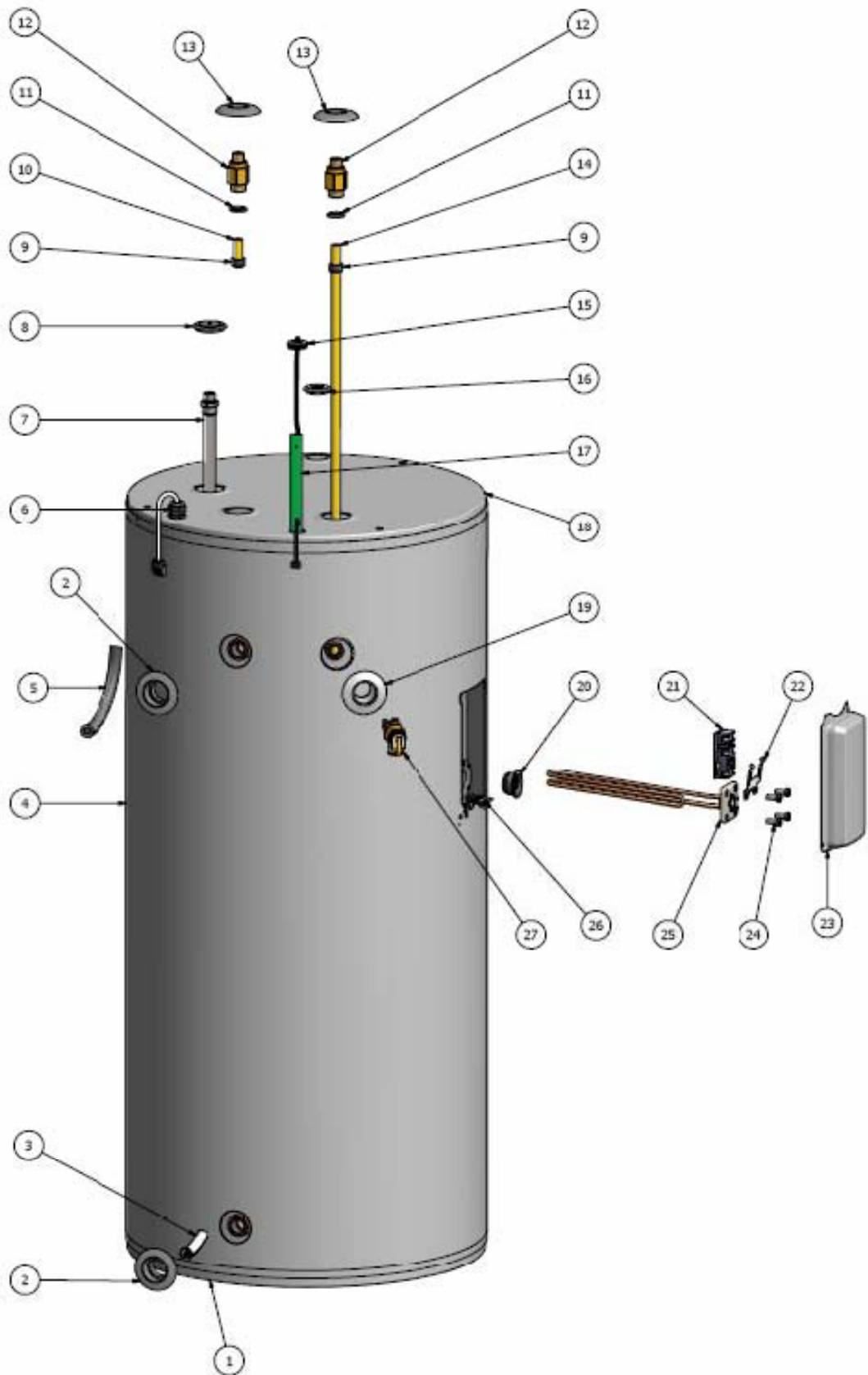
# 310 Series Heat Pump Module

Model A55131007

	Part No.	Description
1	104798	Air Grille
2	180027	Fan Motor Assy
3	108374	Air Shield
4	180026	Fan Shroud
5	100659	Jacket Top
6	180025	Evaporator Coil
7	180032	Condenser
8	088086	Hose – Braided
9	299997	Circulator Pump (Hot Water)
10	890374	Capacitor-Fan Motor
11	052123	Relay
12	051577	PCB Controller Assy
13	051659	Control Cover
14	890263	Sensor Clip
15	056006	Sensor
16	890373	Capacitor-Compressor
17	180029	Compressor
18	140114	Chassis Assy
19	180021	Receiver/Filter Drier
20	180024	TX Valve
21	104797	Drip Tray
22	108372	Side Cover
23	108373	Side Cover-Drip Tray Outlet
24	120513	Label- Air Grille
25	090249	Condenser Insulation
26	090250	Condenser Insulation Cover
27	181526	Pipe – Refrigerant, Low Pressure
28	181527	Pipe – Refrigerant, High Pressure
29	181528	Pipe – Refrigerant, Drier to Heat Exchanger
30	181529	Pipe – Refrigerant, Drier to TX
31	181530	Pipe – Refrigerant, TX to Evaporator
32	088096	Pipe - Condenser, Upper Water with Thermistor Holder Fitting
33	088098	Pipe - Condenser, Lower Water with Thermistor Holder Fitting
NS	080156	Heat Pump Module to Water Heater Mounting Screws (Pkt of 3)
NS	180023	Evaporator Thermostat HP Booster

# 310 Series Heat Pump Cylinder

Model: A55131007



## Rheem Air Sourced Heat Pump

# 310 Series Heat Pump Cylinder

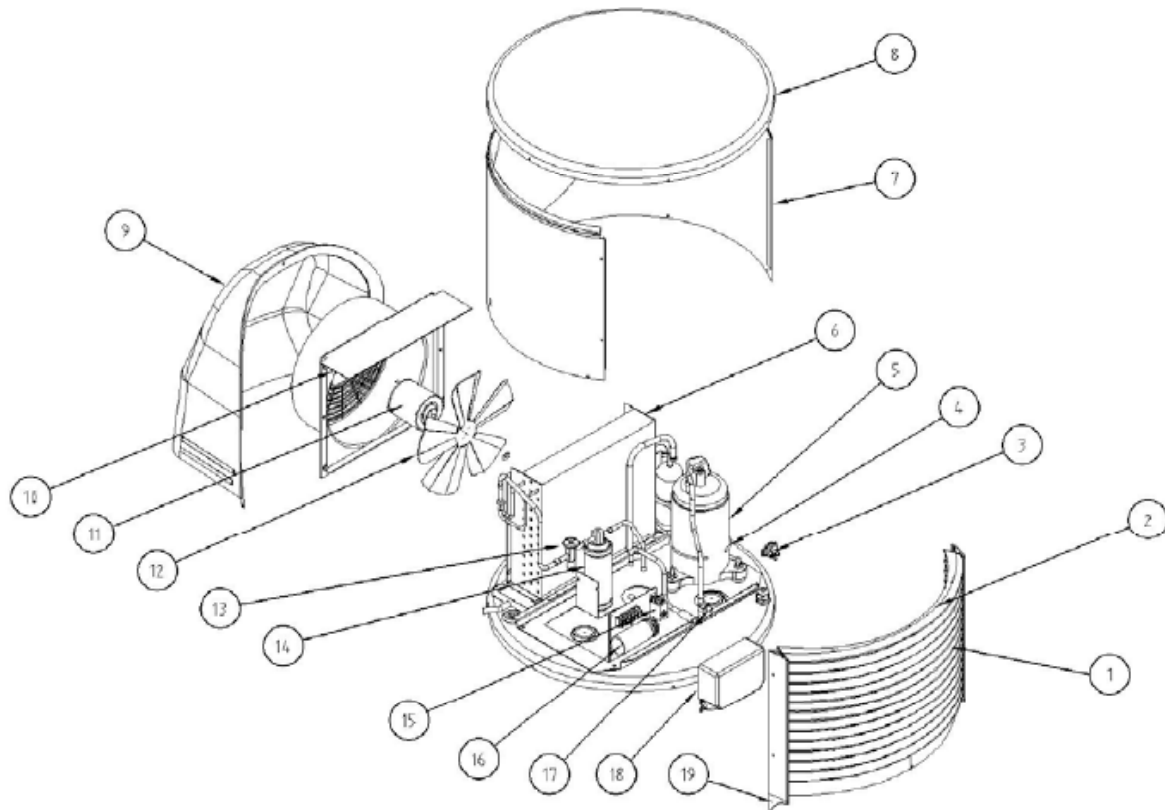
Model: A55131007

	Part No.	Description
1	100633	Jacket Bottom
2	221418	Pipe Seal-Inlet/Outlet (3/4" x 38)
3	220516	Inlet Diffuser
4	120512	Name Band
5	225601	Dip Tube (Outlet)
7	221904	Anode Black
	221924	Anode Blue
	222024	Anode Green
8	221720-1	Anode Cover
9	087027	Dropper Tube Seal
10	220558	Dropper Tube - Short
11	087023	O-Ring - Dropper Tubes
12	088040	Fitting 3/4" to 1/2" Brass
13	221233	Pipe Seal- Dropper Tubes (30 x 16)
14	220559	Dropper Tube - Long
15	080149	Grommet - Sensor Strip
16	221735	Foam Cover
17	053053	Sensor Strip
18	108375	Jacket Top
19	221420	Pipe Seal – T&PR (1/2" x 38)
20	050704	Element Gasket
21	051571	Thermostat - EWT 1 L2-561
22	102501	Thermostat Clamp
23	100703-1	Access Cover
24	051404	Element Bolts
25	050324	Element 2.4kW
	050323	Element 3.6kW
26	051521	Terminal Block
27	220641	T&PR Valve HTE 523/507

# 551 275 Series Heat Pump

Model: 551275 & 551275A

Discontinued 2006



# 551 275 Series Heat Pump

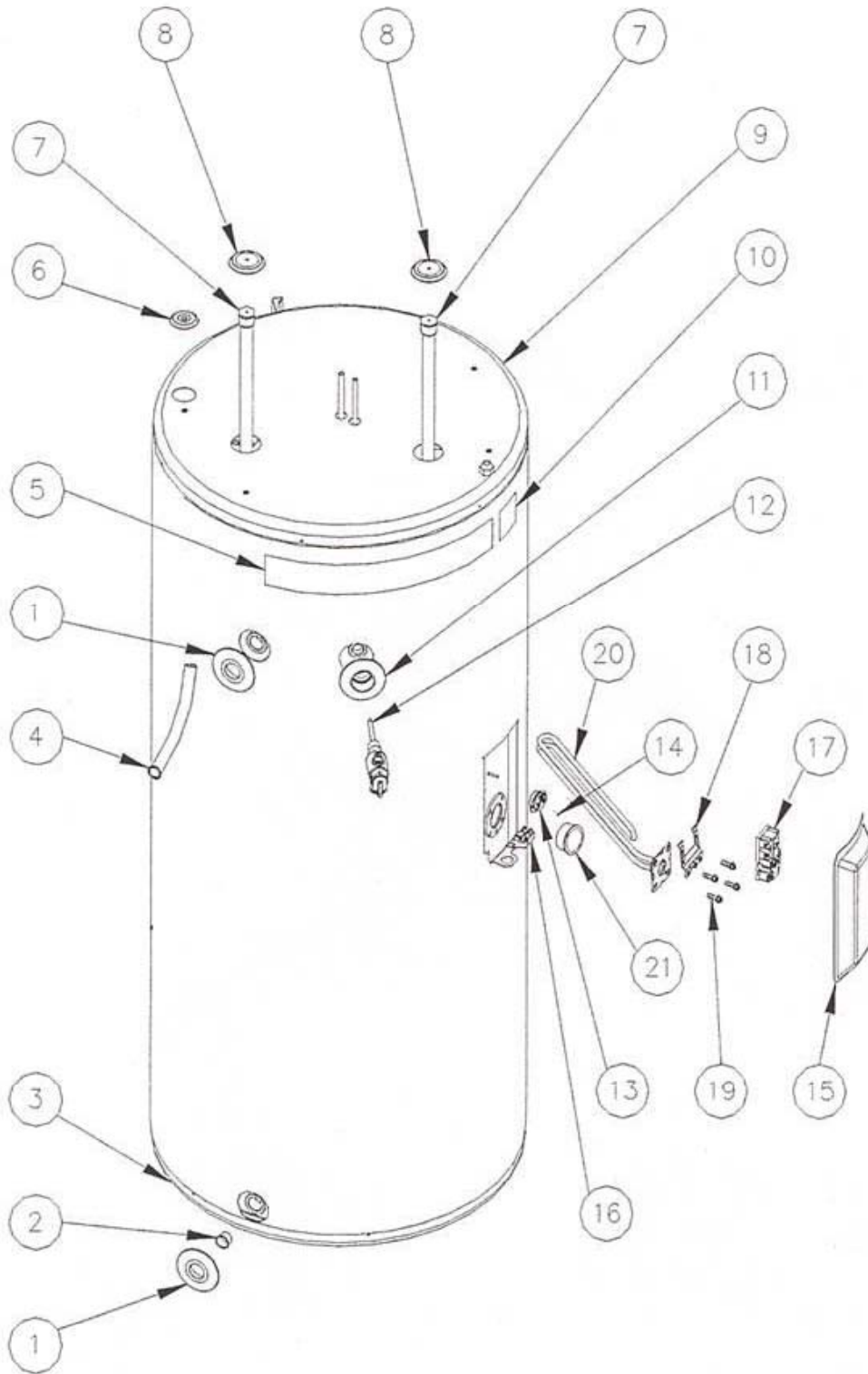
Model: 551275 & 551275A

Discontinued 2006

	Part No.	Description
1	221398-1	Louvre Blade
2	221001	Louvre Assembly - Air Inlet
3	140313-1	Over Temperature Cut Out - Manual Reset
4	225601	OTC Thermostat Spring
5	120509	Compressor and Accumulator
6	221735	Evaporator Coil
7	221914	Jacket – Refrigeration Section
8	221924	Jacket Top – Refrigeration Section
9	222024	Shield Air outlet
10	221720-1	Fan Guard
11	108361	Fan Motor
12	120504	Fan Blade
13	221289-1	TX Valve - Models 55127505 & 55127507 R22 Refrigerant
	220641	TX Valve - Models 55127505A & 55127507/A R409A Refrigerant
14	051337	Receiver/Filter Drier Soldered
15	051339	Evaporator Thermostat
16	080127	Capacitor
17	100703-1	Access Valve
18	051565	Cover Electrical Connection
19	051333	Louvre Rail End Cap – LH
	051347	Louvre Rail End Cap – RH
22	102501	Kit Heat Pump Rework 55127505/07

# 551 275 Series Heat Pump

Model: 551275/275A  
Discontinued 2006



# 551 275 Air Sourced Heat Pump

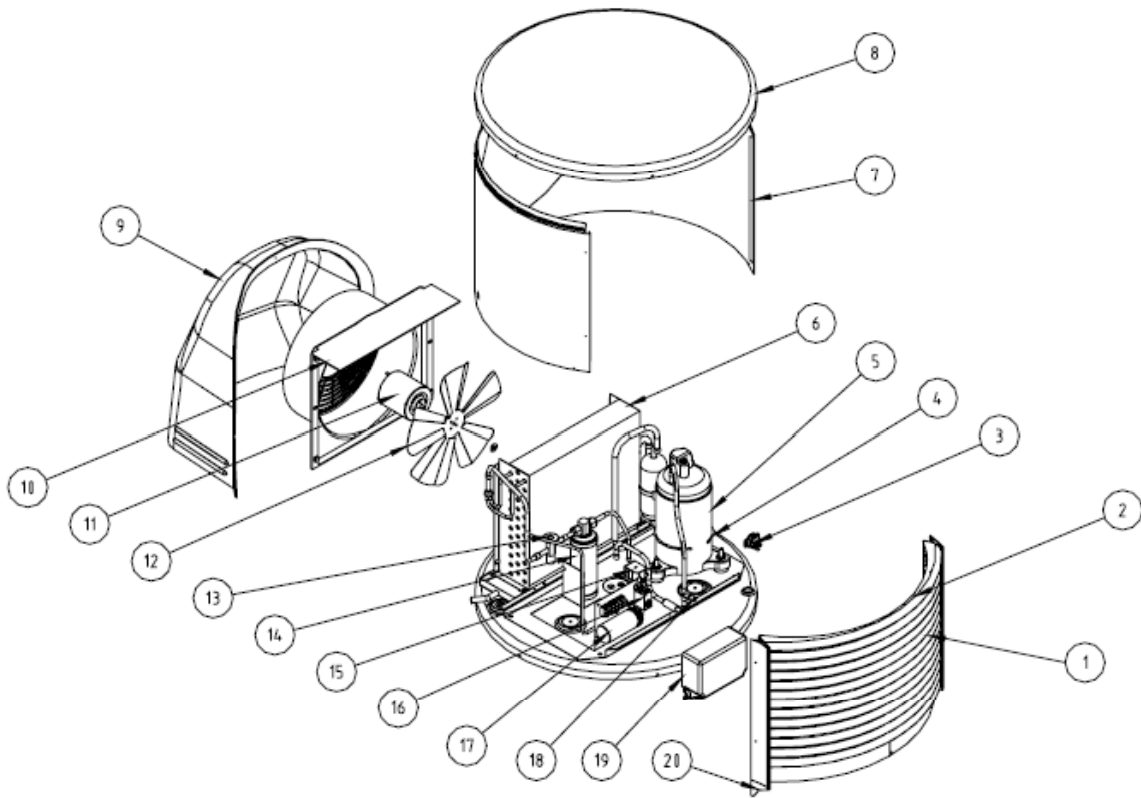
Models 551275/275A

Discontinued 2006

	Part No.	Description
1	221398-1	Pipe Seal – Inlet/Outlet
2	221001	Fitting Liner – Inlet
3	140313-1	Jacket Bottom
4	225601	Dip Tube (Outlet)
5	120509	Name Band
6	221735	Cover – Foam Inlet
7	221914	Anode – Black
	221924	Anode - Blue
	222024	Anode - Green
8	221720-1	Anode Cover
9	108361	Jacket Top
10	120504	Name Band
11	221289-1	Pipe Seal – TP&R
12	220641	TP&R Valve
13	051335	OTC Stat – Model 55127505 & 55127507 52°C Single Pole
	051339	OTC Stat– Model 55127505/A & 55127507/ A85°C Double Pole
14	080127	Thermostat Spring
15	100703-1	Access Cover
16	051565	Terminal Block
17	051333	Thermostat Cyl Robertshaw 1L2-552
	051347	Thermostat 'A' Model Robertshaw 1A1-2
18	102501	Thermostat Clamp
19	051404	Element Bolts
20	050322	Element 2.4kW
	050319	Element 3.6kW
21	050704	Element Gasket

# 550 275 Series Heat Pump

Model: 550275  
Discontinued 2006



# 550 275 Series Heat Pump

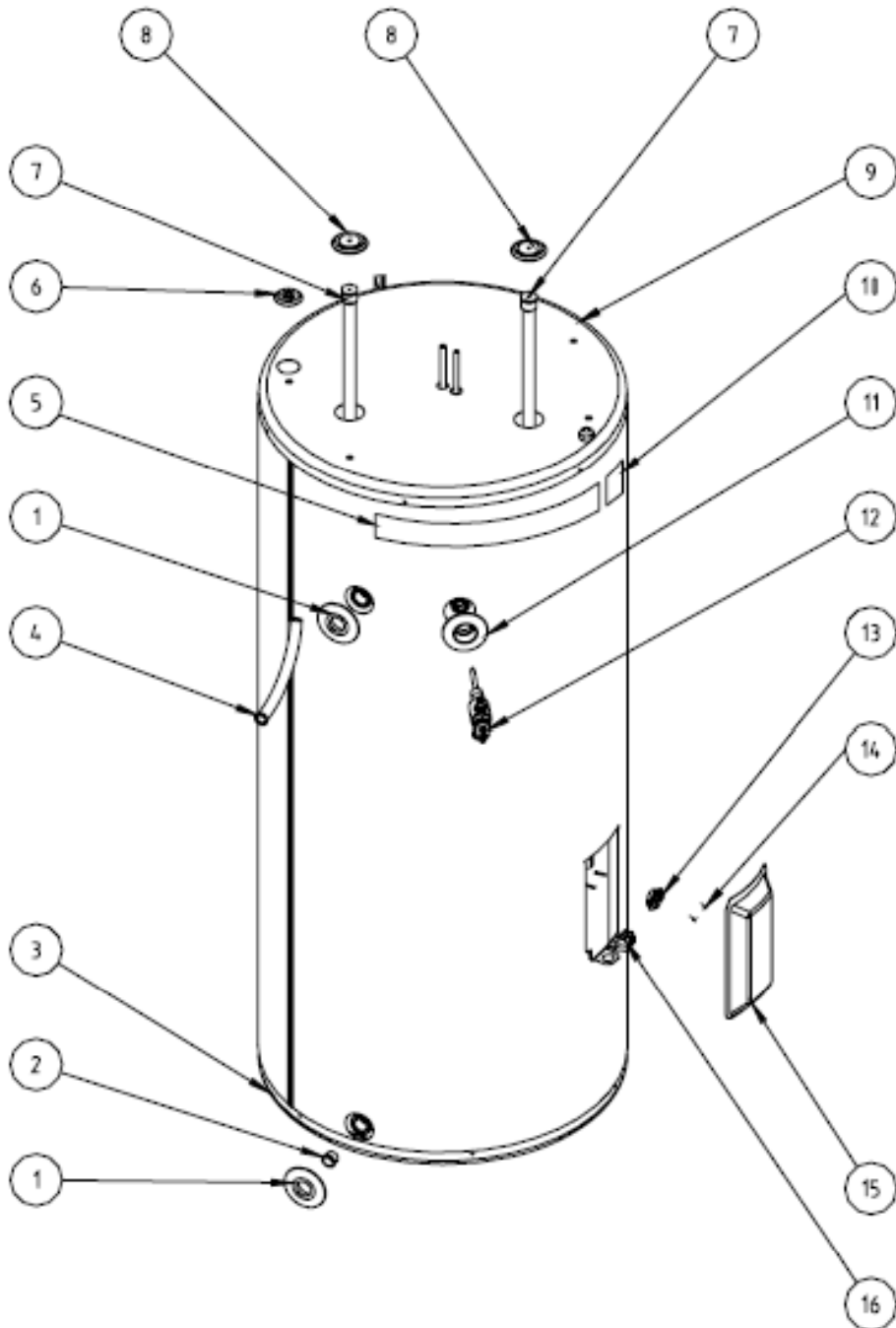
Model: 550275

Discontinued 2006

	Part No.	Description
1	102749	Louvre Blade
2	102750	Louvre Assembly - Air Inlet
3	180013	Over Temperature Cut Out Manual Reset
4	180010	OTC Thermostat Spring
5	180001	Compressor and Accumulator
9	104799	Shield Air outlet
10	180012	Fan Guard
11	180006	Fan Motor
12	180007	Fan Blade
13	180003	TX Valve
14	180009	Receiver/Filter Drier Flared Connection
	180021	Receiver/Filter Drier Soldered Connection
15	180004	By Pass Solenoid Valve
16	180008	De-ice Thermostat
20	102747	Louvre Rail End Cap - LH
	102748	Louvre Rail End Cap - RH
21	890313	Kit Heat Pump Rework 55027500
n/s	051329	Thermostat HP T2-A-49-6 49DEG Cut out
n/s	051347	Thermostat R/S EWT 1A1-2
	n/s:- Not Shown	

# 550 275 Series Heat Pump

Model: 550275  
Discontinued 2006

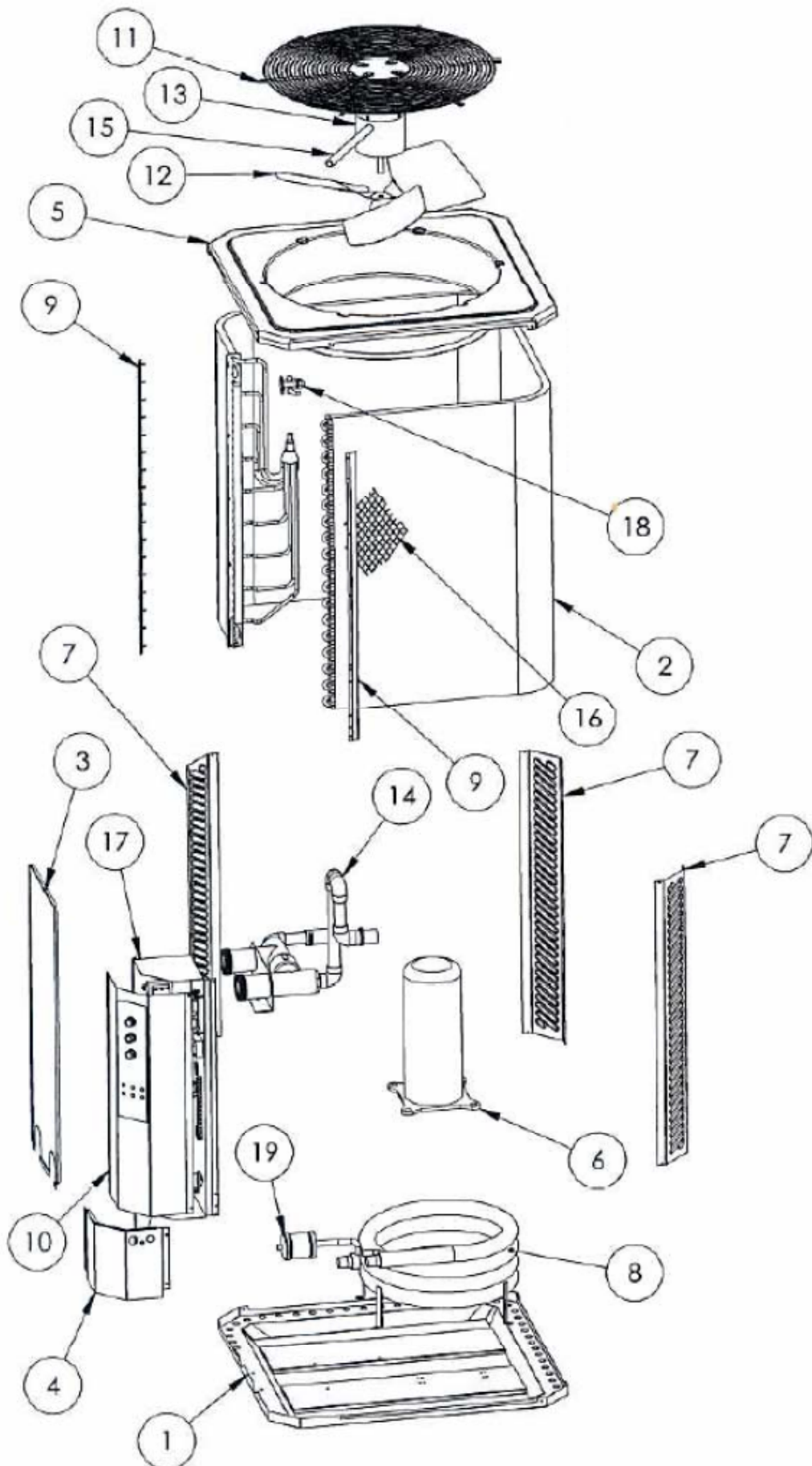


# 550 275 Series Heat Pump

Model: 550275  
Discontinued 2006

	Part No.	Description
1	221398-1	Pipe Seal – Inlet/Outlet
2	221001	Fitting Liner – Inlet
3	140313-1	Jacket Bottom
4	225601	Dip Tube (Outlet)
5	120505	Name Band
6	221735	Cover – Foam Inlet
7	221914	Anode Black
	221924	Anode Blue
	222024	Anode Green
8	221720-1	Anode Cover
9	108361	Jacket Top
10	120504	Name Strip
11	221289-1	Pipe Seal – TP&R
12	220641	T&PR Valve
13	051329	Thermostat 49°C
14	080127	Thermostat Spring
15	100703-1	Access Cover
16	051565	Terminal Block

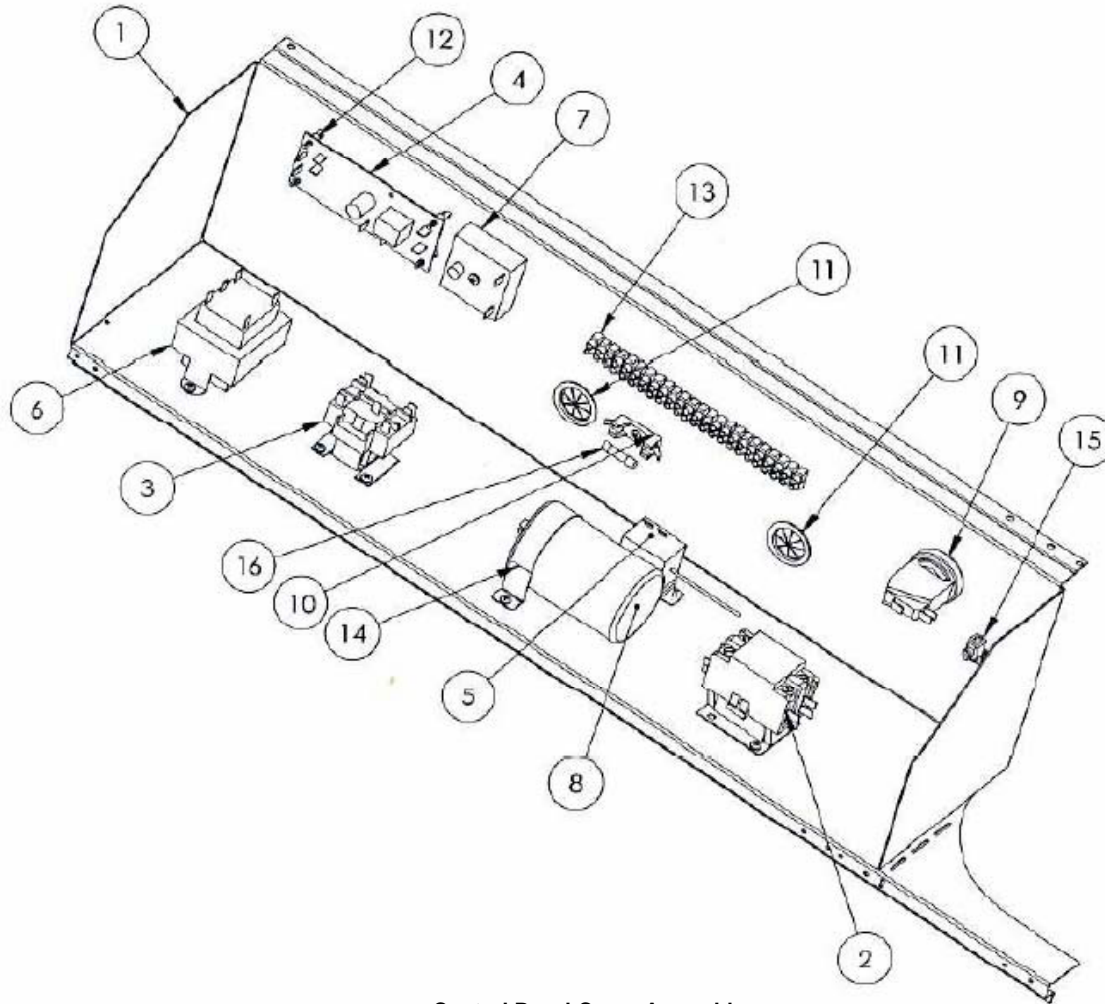
# ARHP33 Pool Heat Pump



# ARHP33 Pool Heat Pump

	<b>Part No.</b>	<b>Description</b>
1	8120140	Assembly Base
2	4010001	Evaporator Coil
3	8150142	Access Panel
4	8140152	Power Input Panel
5	8110140	Top Cover
6	3010002	Compressor
7	8160152	Corner Support
8	2010009	Heat Exchanger CTCHN-67 -ES-6S-LH
9	7010007	Screen Retainer
10	*	Control Panel Cover Assembly HC
11	8210001	Fan Guard
12	8210002	Fan Blade
13	8210010	Fan Motor including 1.5mtrs Cabling
14	6310002	Water Manifold Assembly HC
15	6210014	Fan Conduit
16	4110002	Coil Guard
17	*	Control Panel Assembly HC
18	2110008	Expansion (TX) Valve
19	2110002	Receiver Filter Drier BFK-165 S
**	100-116	Indicator Tube
**	5010012	Low Pressure Switch (Refrigeration)
**	5010013	High Pressure Switch (Refrigeration)
**	6210032	Union for Water Connections
**	5010006	Water Sensor

# ARHP33 Pool Heat Pump

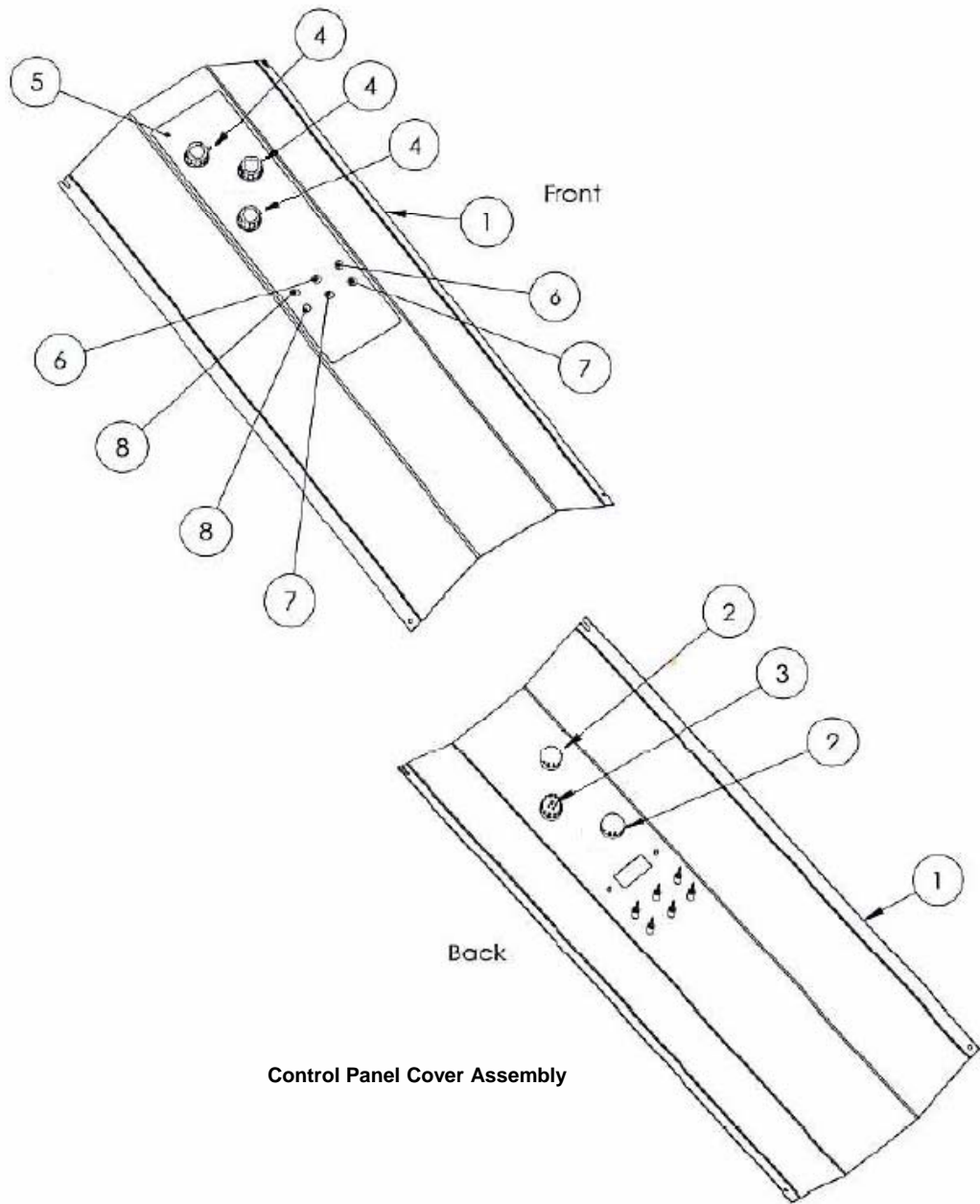


Control Panel Cover Assembly

# Rheem Electric Pool Heat Pump

	<b>Part No.</b>	<b>Description</b>
1	8310002	Control Panel
2	5410002	Compressor Contactor
3	5010010	Fan Relay
4	5010007	Control Board 24V (thermostat) SP-332
5	2110003	Defrost Thermostat
6	5010014	Transformer 240V - 24V AC
7	5010011	Delay Timer IMC 203
8	5510008	Compressor & Fan Capacitor
9	5010015	Water Flow Pressure Switch
10	5010003	Fuse Block
11	7010001	Bushing
12	9910001	Stand-off (4 required) RLCBSR1
13	5210006	Terminal Strip
14	7010004	Capacitor Clamp
15	5010017	Earth Lug
16	100-121	Fuse 2A (Type 3AG 10 per bag)

# ARHP33 Pool Heat Pump



# Rheem Electric Pool Heat Pump

	<b>Part No.</b>	<b>Description</b>
1	8130152	Control Panel Cover
2	100-107	Thermostat Adjustment Pot
3	100-106	Spa-Remote-Pool Selector Switch Type A403
4	5610001	Selector Switch Knob
5	8410017	Label Control Panel
6	5310001	LED Green
7	5310003	LED Red
8	5310002	LED Amber

